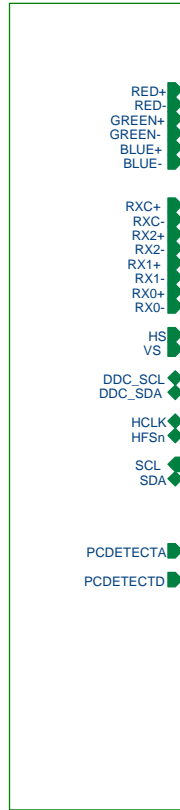


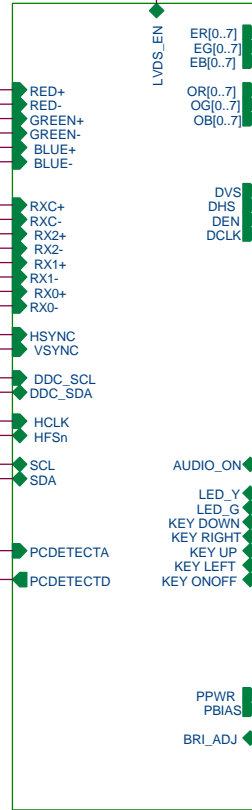
Title		
SCHEMATIC, KEY/B VT-901 LAM999		
Size	Document Number	Rev
A3	404A79	1A
Date:	Thursday, July 18, 2002	Sheet 2 of 2

Sheet 3

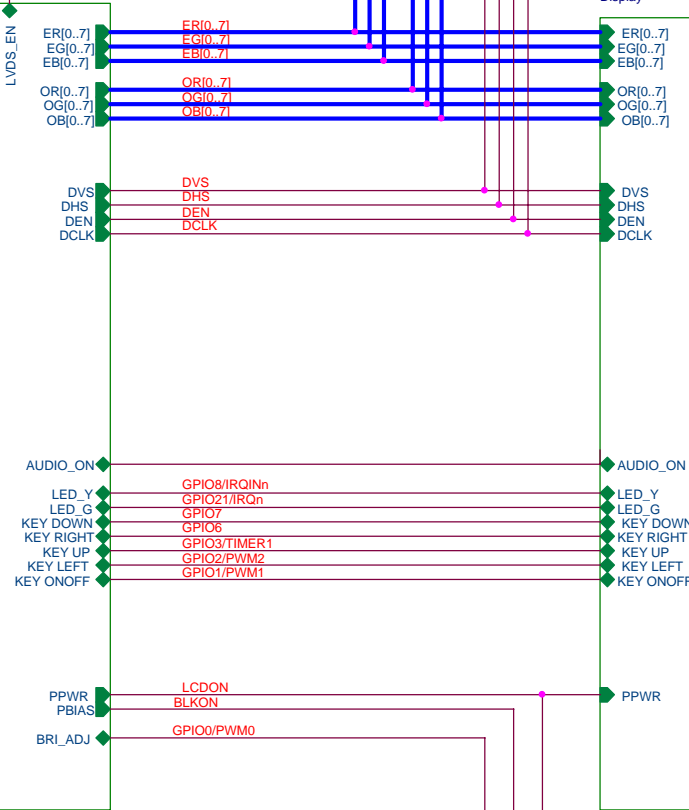
gm5115



3. Input Connectors



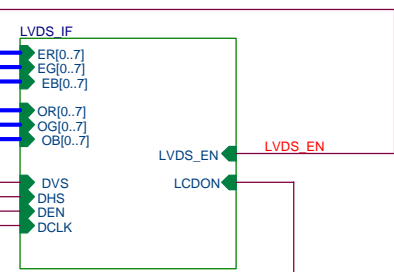
4. gm5115



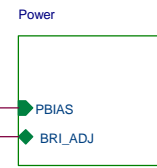
6. LVDS_IF

Display

5. Display

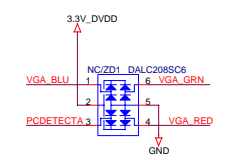
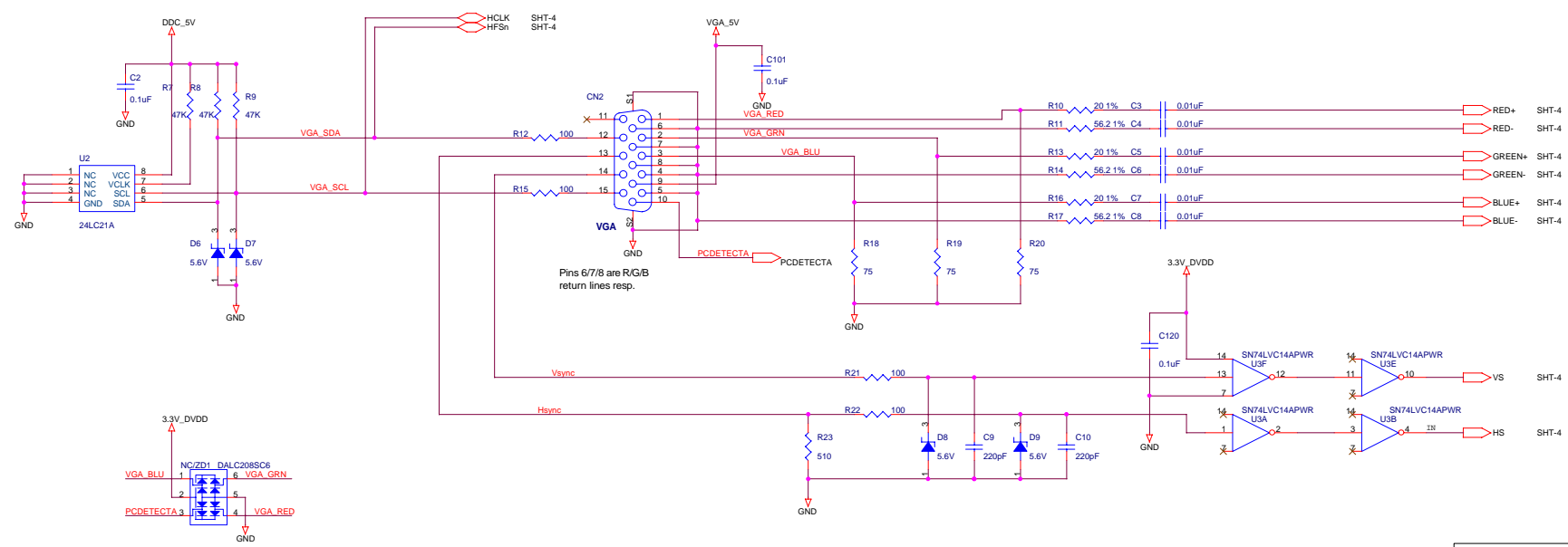
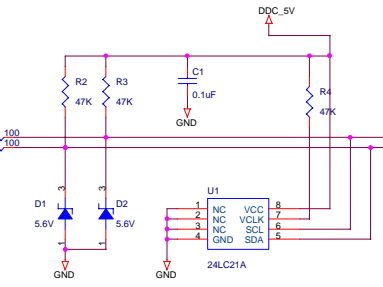
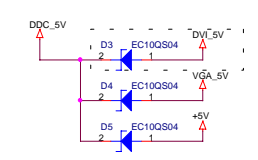
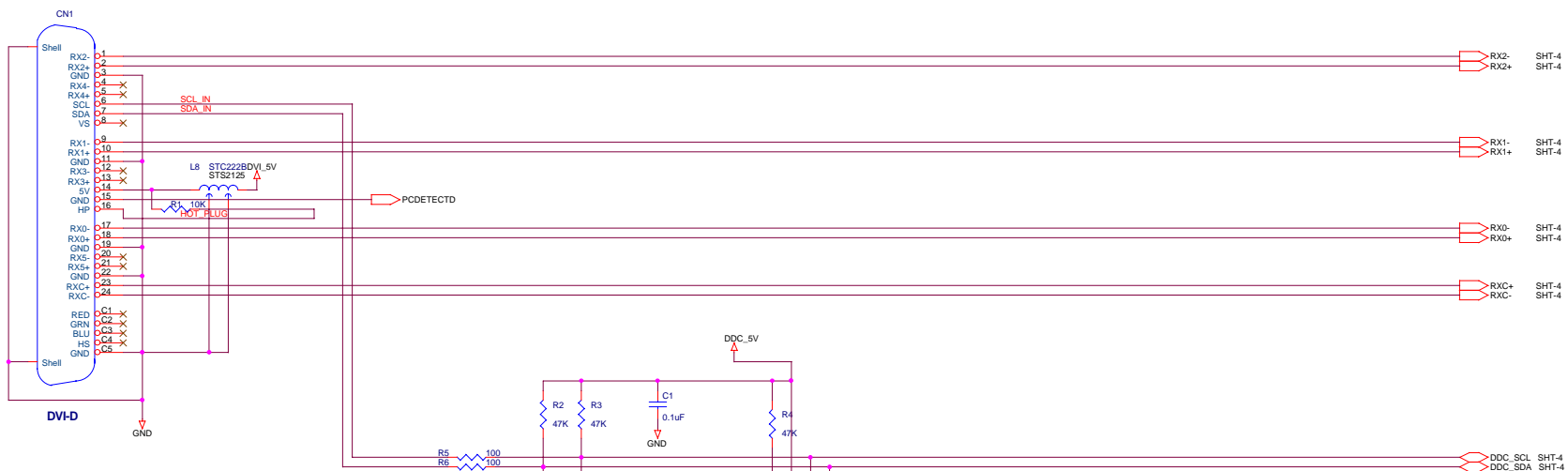


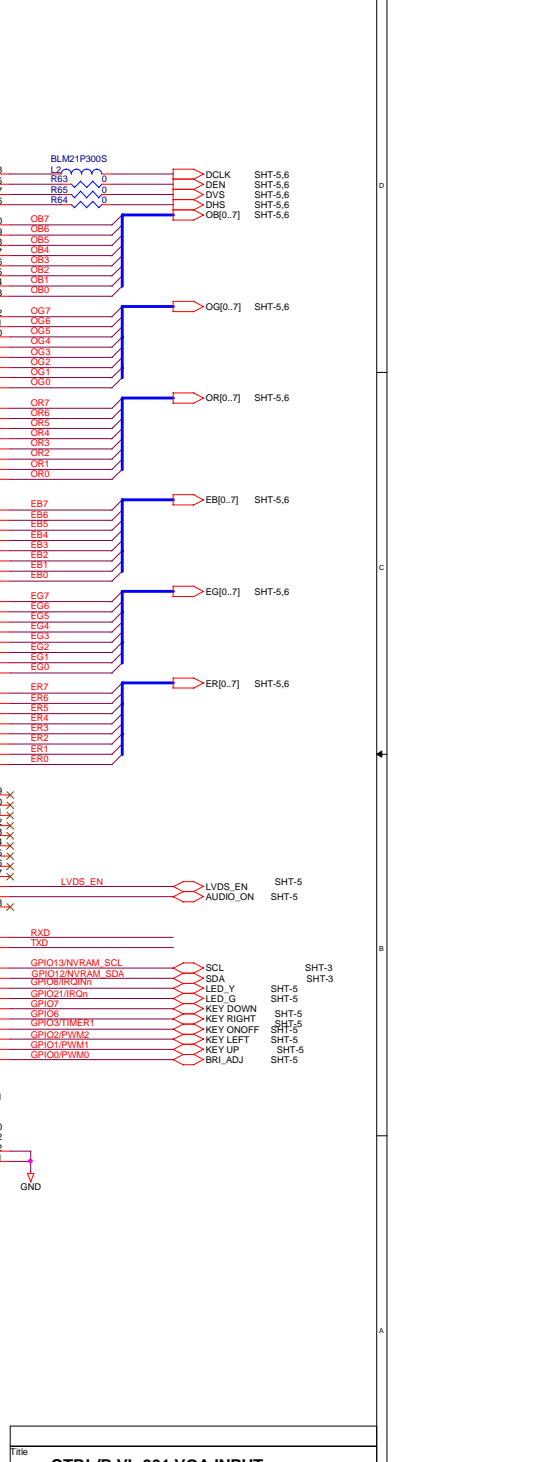
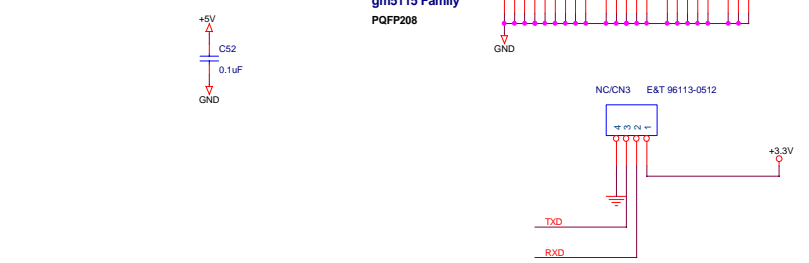
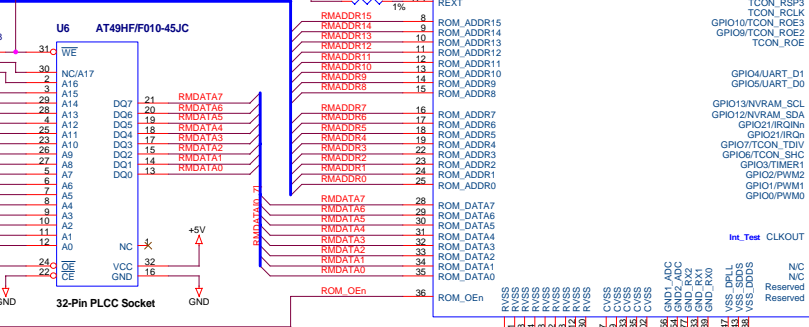
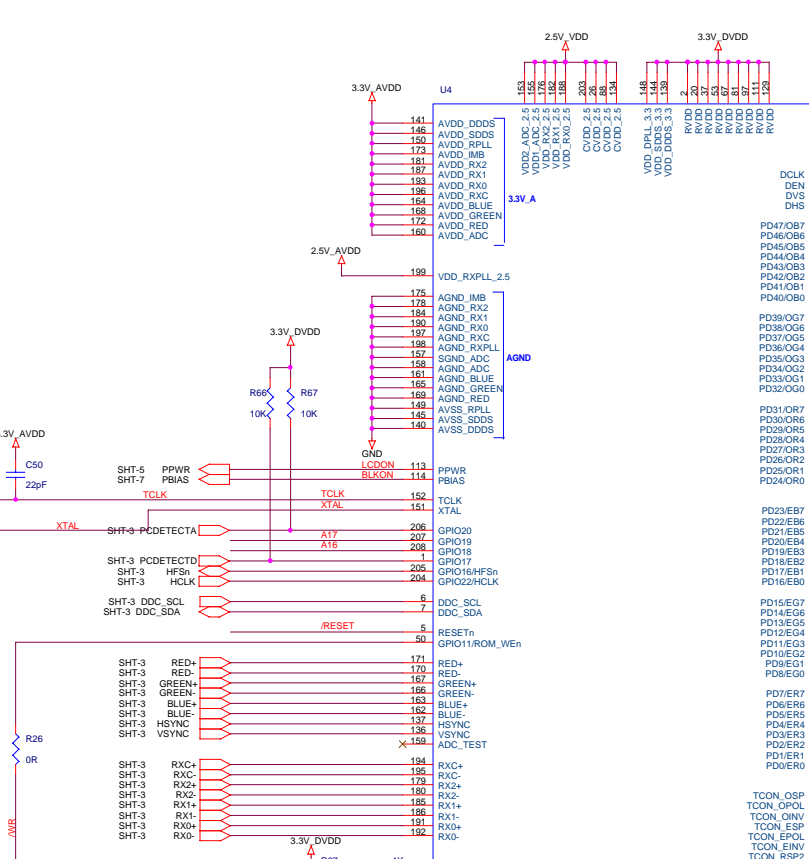
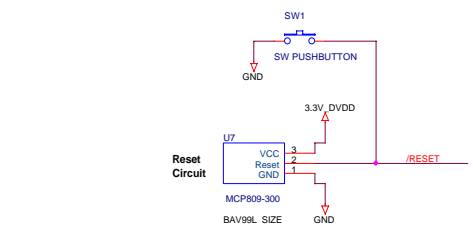
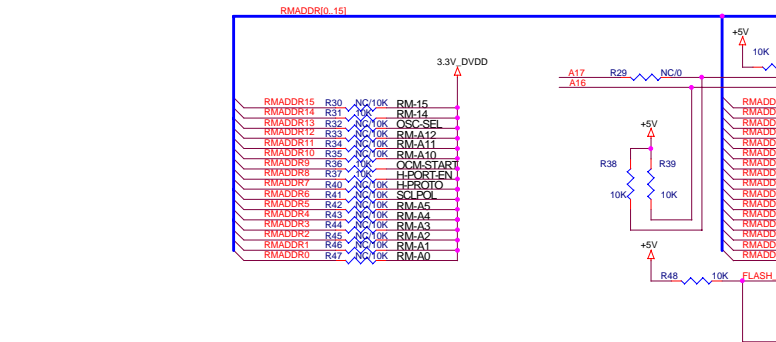
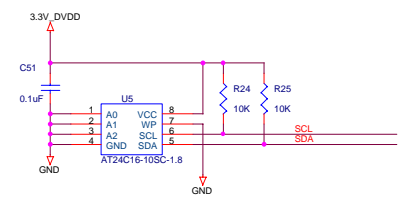
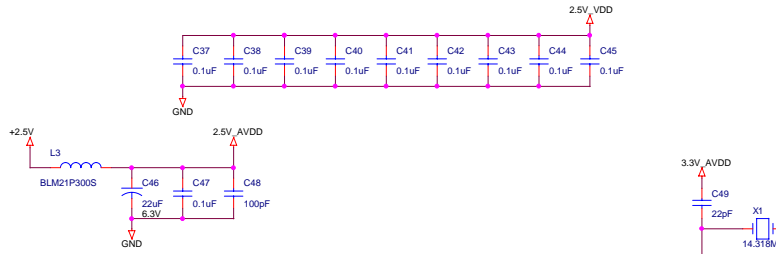
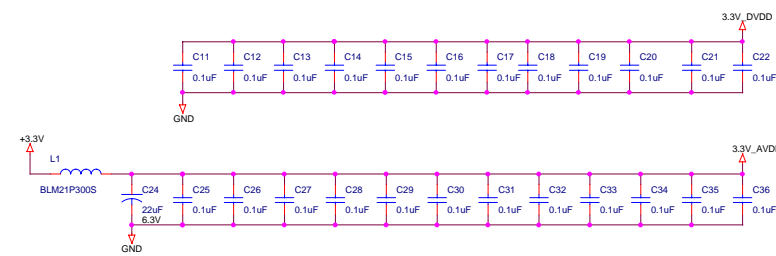
6. LVDS_IF

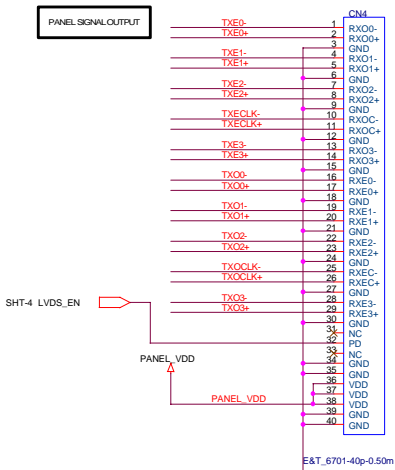
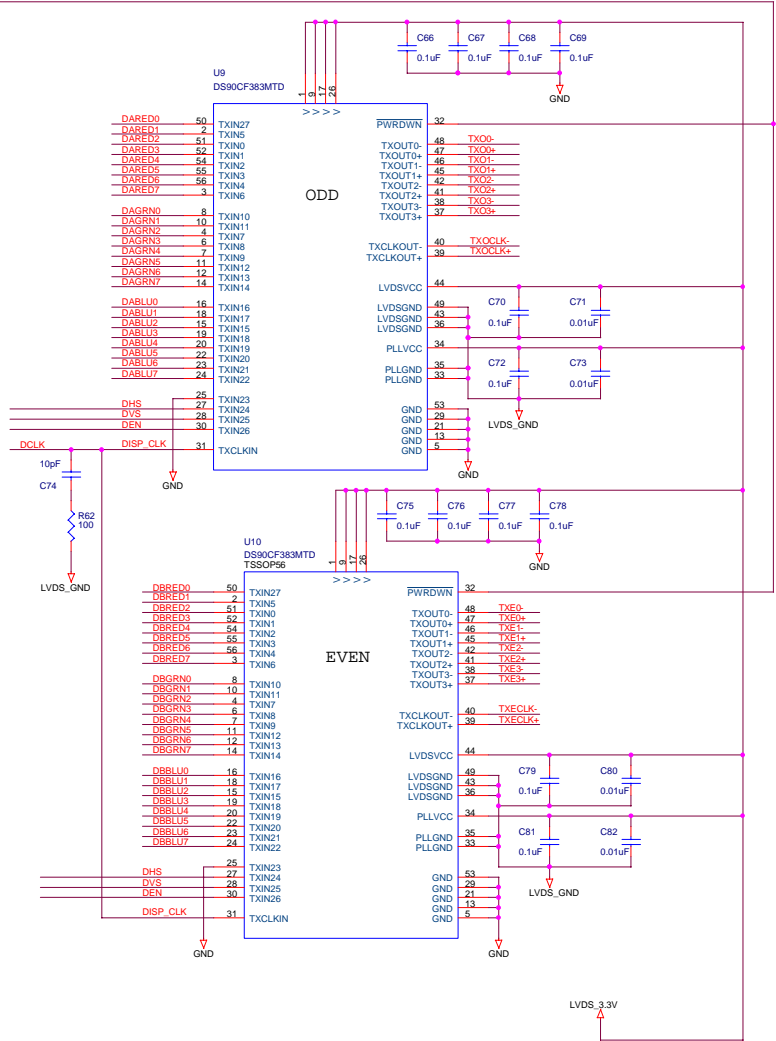
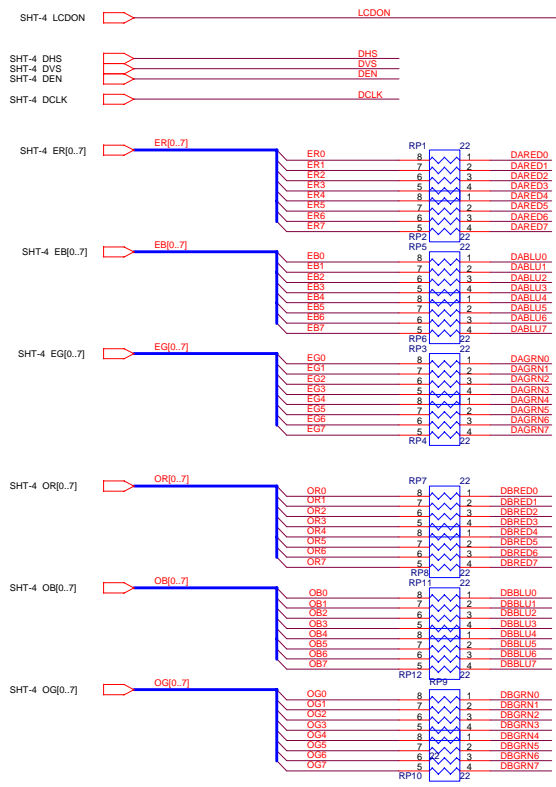


7. Power

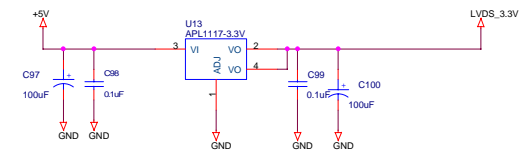
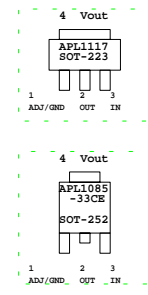
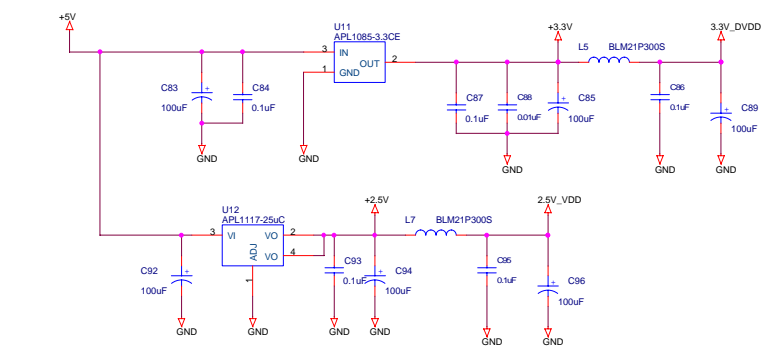
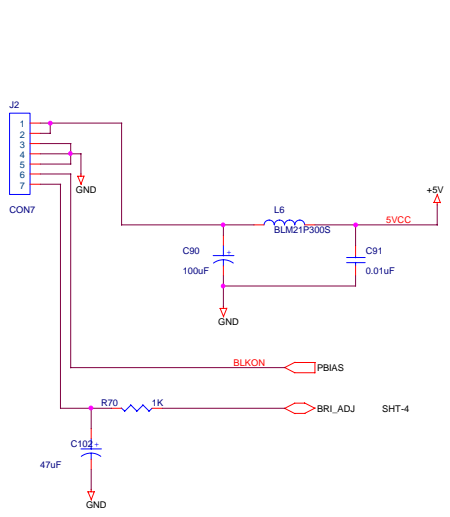
Title		
CTRL/B VL-901,VGA INPUT		
Size	Document Number	Rev
B	401A78	1B
Date:	Thursday, July 04, 2002	Sheet 2 of 7

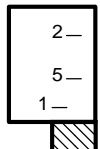
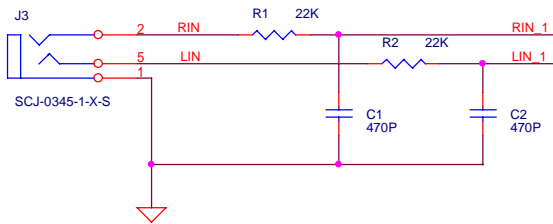






Connect LVDS grounds to GND at one single point only.

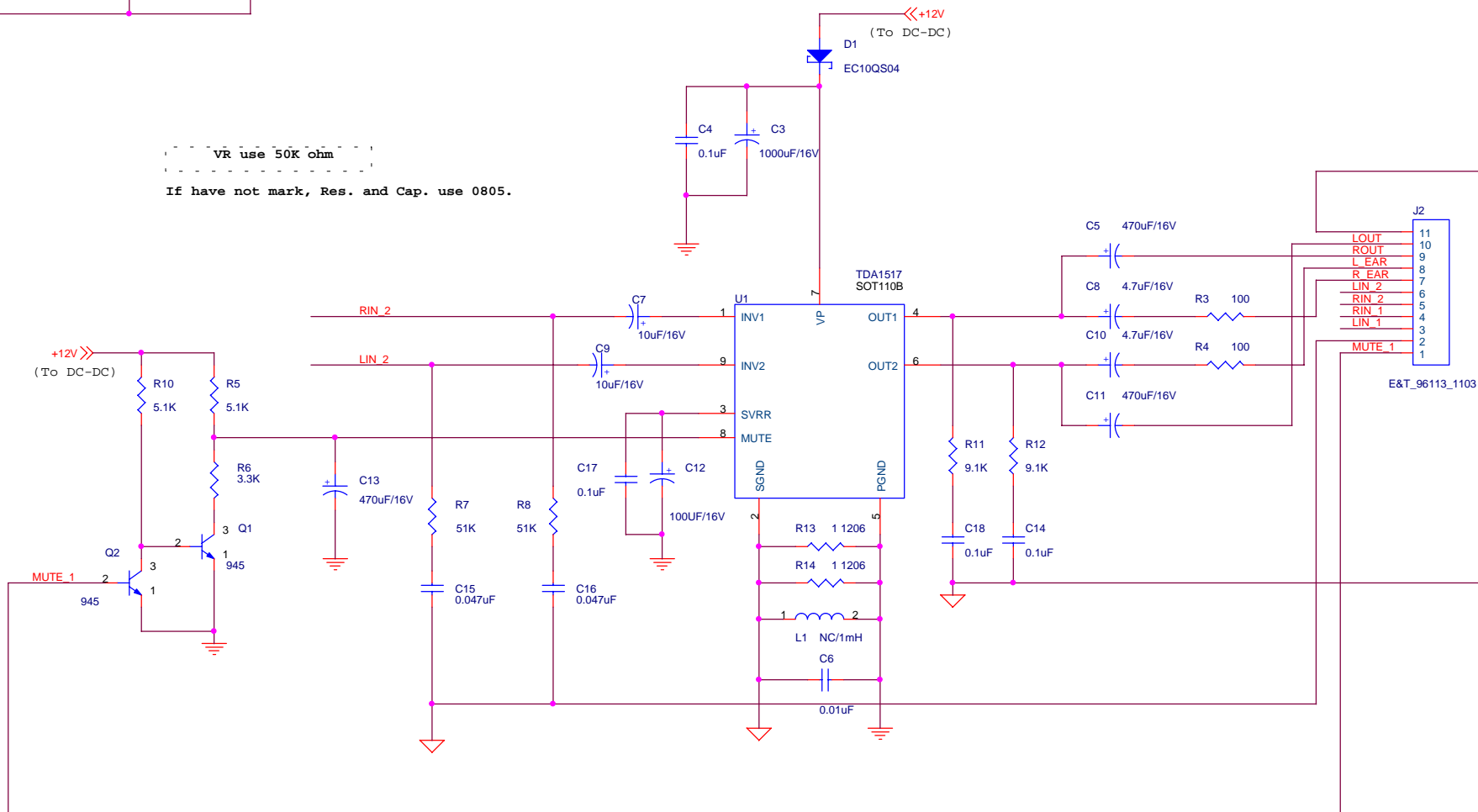
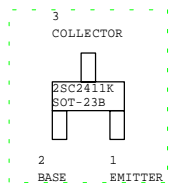




PH1
BOTTOM VIEW

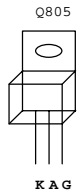
VR use 50K ohm

If have not mark, Res. and Cap. use 0805.

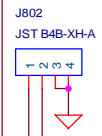
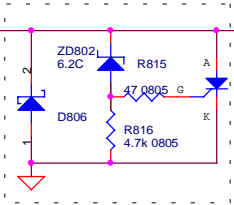


FOR AM999 ONLY

Title		SCHEMATIC, AUDIO&D/D BD. VM-902	
Size	Document Number	Rev	
B	405A78	0B	
Date:	Friday, July 19, 2002	Sheet	2 of 3

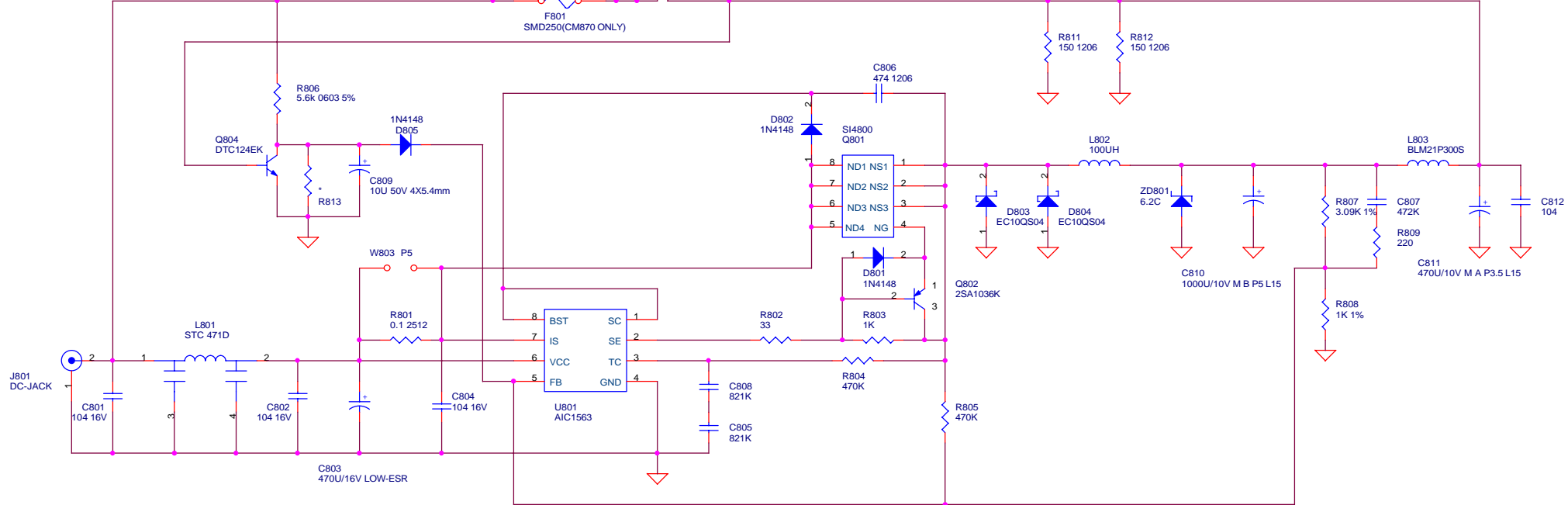


+12V (To Audio AMP)



PAD

F801 SMD250(CM870 ONLY)



Title		
SCHEMATIC, AUDIO&D/D BD. VM-902		
Size	Document Number	Rev
A3	405A78	0B
Date:	Friday, July 19, 2002	Sheet 3 of 3