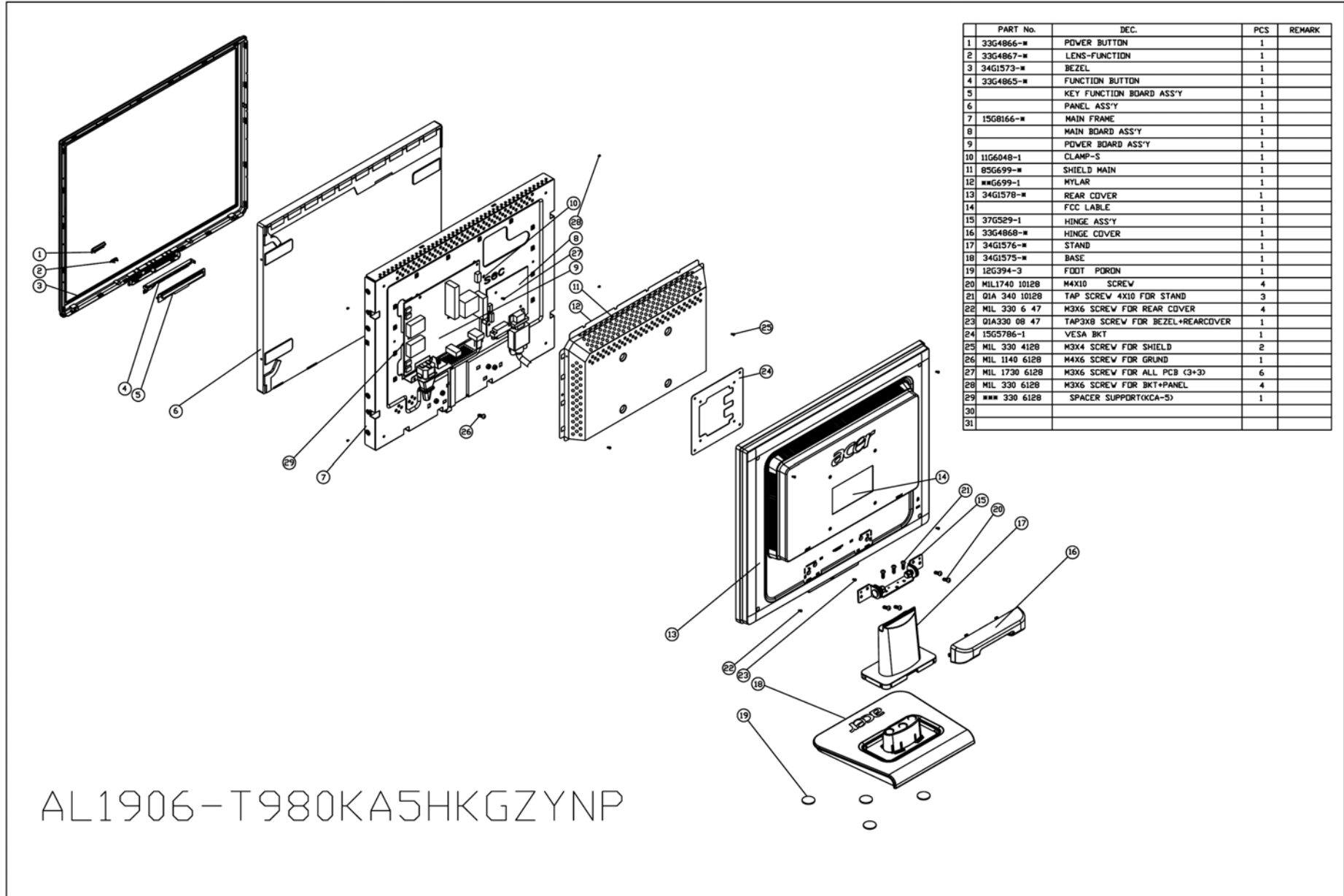


This chapter gives you the FRU (Field Replaceable Unit) listing in global configurations of AL1906. Refer to this chapter whenever ordering for parts to repair or for RMA (Return Merchandise Authorization).

NOTE: Please note WHEN ORDERING FRU PARTS, that you should check the most up-to-date information available on your regional web or channel (<http://aicsl.acer.com.tw/spl/>). For whatever reasons a part number change is made, it will not be noted in the printed Service Guide. For ACER AUTHORIZED SERVICE PROVIDERS, your Acer office may have a DIFFERENT part number code from those given in the FRU list of this printed Service Guide. You MUST use the local FRU list provided by your regional Acer office to order FRU parts for repair and service of customer machines.

NOTE: To scrap or to return the defective parts, you should follow the local government ordinance or regulations on how to dispose it properly, or follow the rules set by your regional Acer office on how to return it.

Exploded Diagram (Model: AL1906)



PART No.	DEC.	PCS	REMARK
1	33G4866-M	POWER BUTTON	1
2	33G4867-M	LENS-FUNCTION	1
3	34G1573-M	BEZEL	1
4	33G4865-M	FUNCTION BUTTON	1
5		KEY FUNCTION BOARD ASS'Y	1
6		PANEL ASS'Y	1
7	15G8166-M	MAIN FRAME	1
8		MAIN BOARD ASS'Y	1
9		POWER BOARD ASS'Y	1
10	11G6048-1	CLAMP-S	1
11	85G699-M	SHIELD MAIN	1
12	M6G699-1	MYLAR	1
13	34G1578-M	REAR COVER	1
14		FCC LABEL	1
15	37G529-1	HINGE ASS'Y	1
16	33G4868-M	HINGE COVER	1
17	34G1576-M	STAND	1
18	34G1575-M	BASE	1
19	12G394-3	FOOT PORDN	1
20	MIL1740 10128	M4X10 SCREW	4
21	QIA 340 10128	TAP SCREW 4X10 FOR STAND	3
22	MIL 330 6 47	M3X6 SCREW FOR REAR COVER	4
23	QIA330 08 47	TAP3X8 SCREW FOR BEZEL+REARCOVER	1
24	15G5786-1	VESA BKT	1
25	MIL 330 4128	M3X4 SCREW FOR SHIELD	2
26	MIL 1140 6128	M4X6 SCREW FOR GRUND	1
27	MIL 1730 6128	M3X6 SCREW FOR ALL PCB (3+3)	6
28	MIL 330 6128	M3X6 SCREW FOR BKT+PANEL	4
29	M6M 330 6128	SPACER SUPPORT(KCA-5)	1
30			
31			

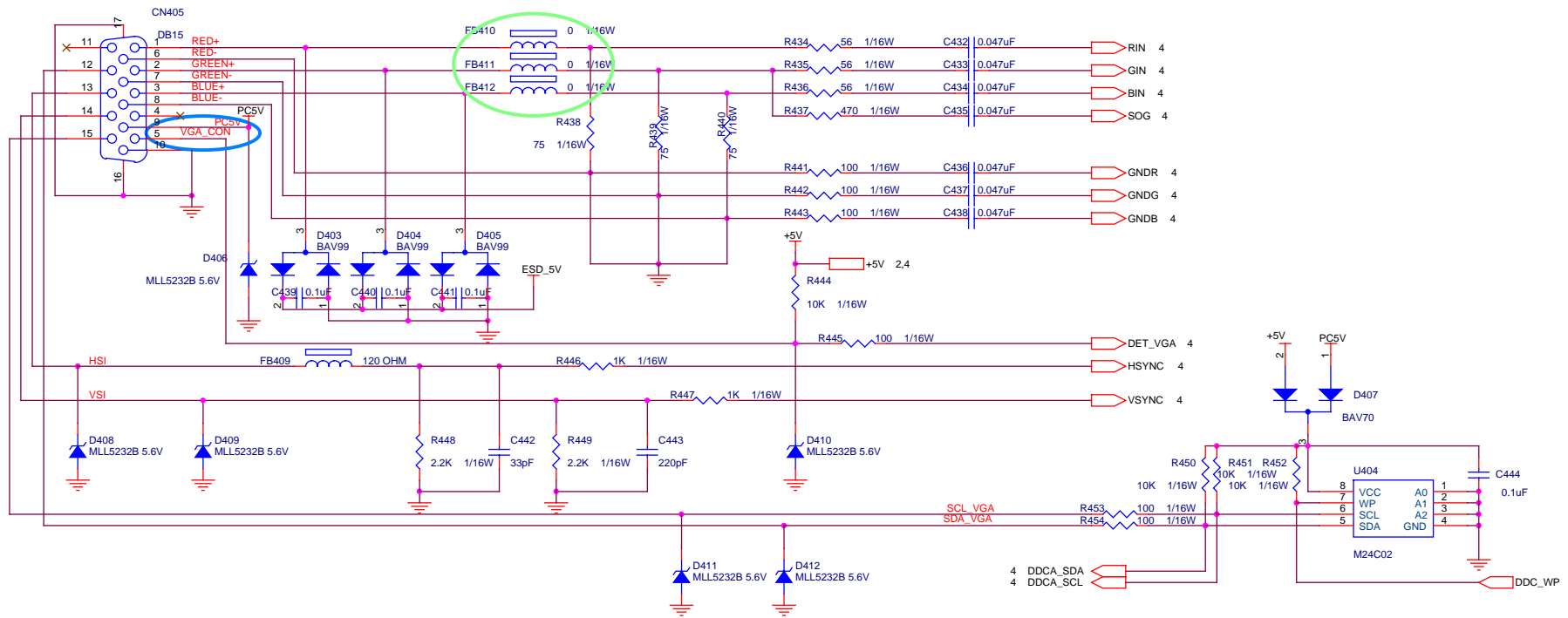
Part List

Above picture show the description of the following component.

Item	Picture	Description	Part No.
1		BACK COVER	34G1574 RX B
2		STAND	34G1576 RX B
3		BEZEL	34G1573AQW B
4		BASE	34G1575 RX B
5		SCREW	M1L1730 8128
6		SCREW	Q1G 340 10128

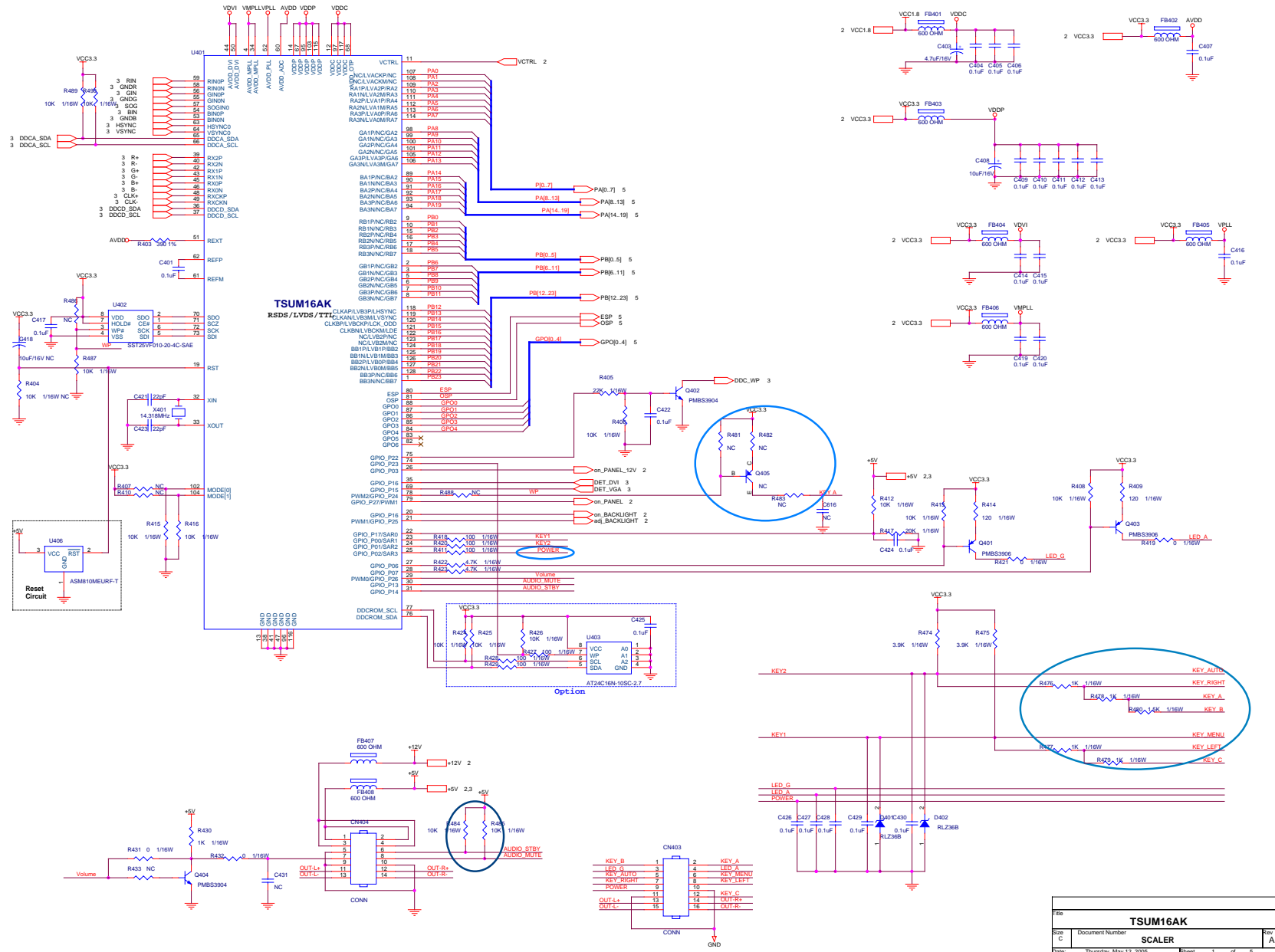
Schematic Diagram

Analog Input



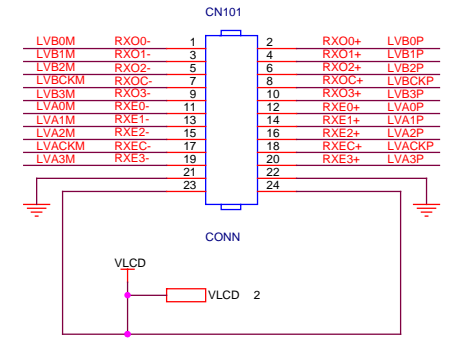
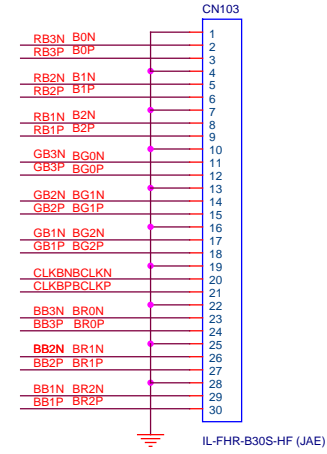
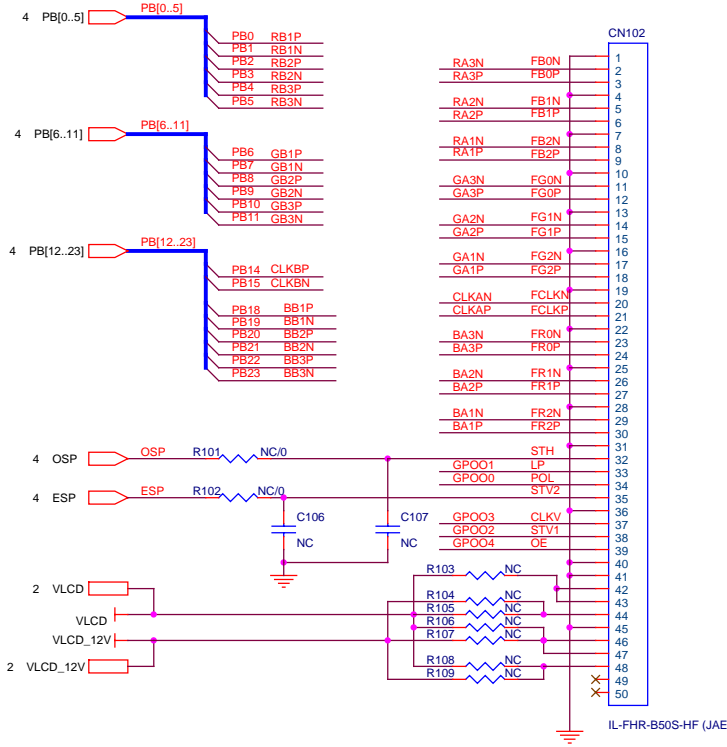
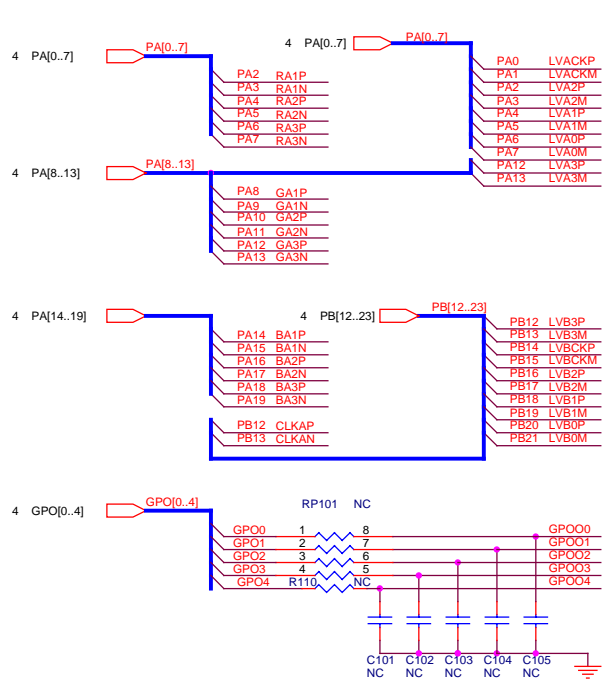
Title			
TSUM16AK			
Size B	Document Number	INPUT	Rev A
Date:	Monday, May 09, 2005	Sheet 1 of 5	

TSUM16AK



File	TSUM16AK		Rev	A
Size	Document Number	SCALER		
C				
Scale	Thursday, May 12, 2005	Sheet	1	of 6

LVDS

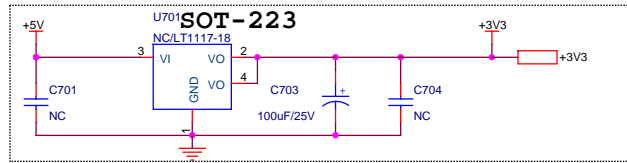


	CN7	CN8	CN9	RP1	R88	R89	R91	Table 1
LVDS Panel	X	X	V	X	X	X	X	X
RSDS Panel	V	V	X	V	V	V	V	V

Table 1	R90	R92	R93	R94	R95	R96	R97
AU 17	NC	NC	5V OR	5V OR	NC	5V OR	NC
QDI 17	3.3V OR	12V OR	NC	NC	12V OR	NC	12V OR
CPT 17	3.3V OR	3.3V OR	NC	NC	3.3V OR	NC	NC
INNOLUX 15	3.3V OR	NC	3.3V OR	NC	NC	NC	NC
HannStar 15	3.3V OR	NC	3.3V OR	NC	12V OR	NC	NC
CPT 15	3.3V OR	NC	3.3V OR	NC	NC	NC	NC
LG 15	3.3V OR	NC	3.3V OR	NC	NC	NC	NC
Innolux 17*	NC	NC	3.3V OR	3.3V OR	NC	3.3V OR	NC

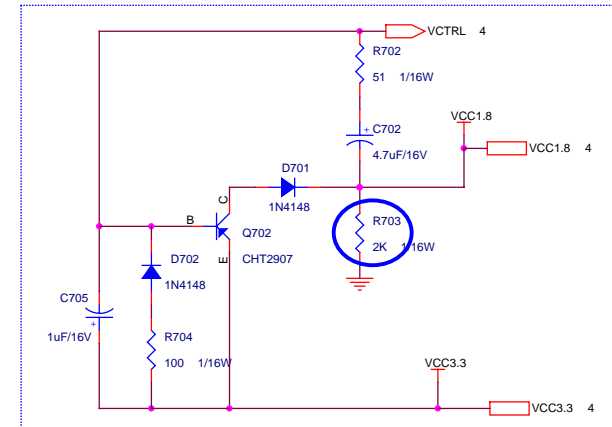
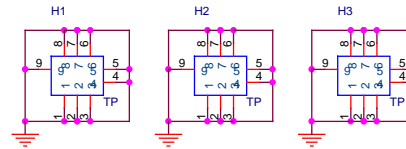
Title			TSUM16AK		
Size	Document Number				Rev
B	PANEL INTERFACE				A
Date:	Monday, May 09, 2005	Sheet	1	of	5

Power

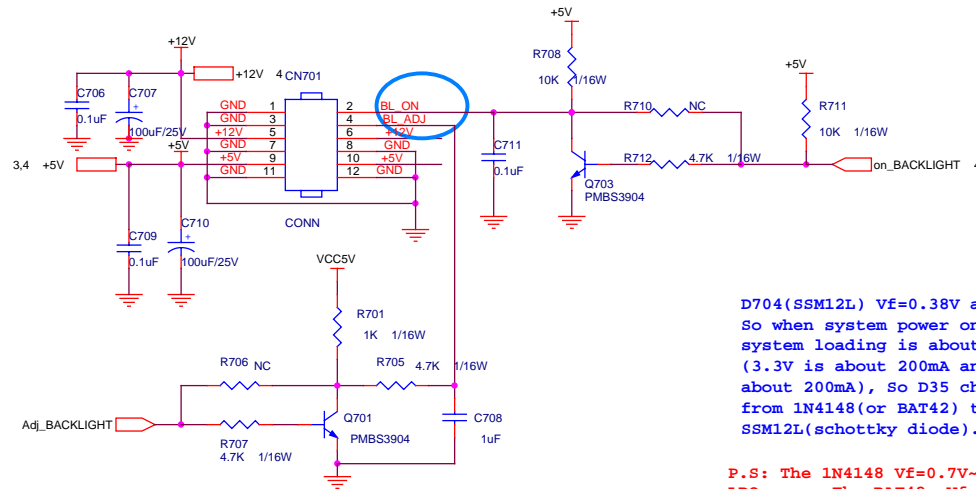


BL_ADJ (DC)	R31	C51	R32	R29	R33	Q4
UV ~ 3.3V	4.7K	1uF	0	X	X	X
UV ~ 5V	4.7K	1uF	X	1K	4.7K	MMBT3904

BL_ADJ	R31	C32
P W M	47	N.C
D C	4K7	1uF

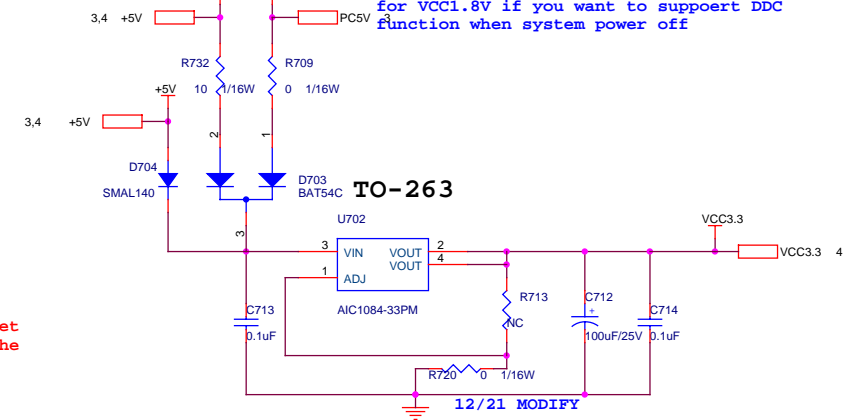


Recommend to used "Blue" parts circuit for VCC1.8V if you want to support DDC function when system power off



D704(SSM12L) Vf=0.38V and If=1A. So when system power on, the system loading is about 400mA (3.3V is about 200mA and 1.8V is about 200mA), so D35 changed from 1N4148(or BAT42) to SSM12L(schottky diode).

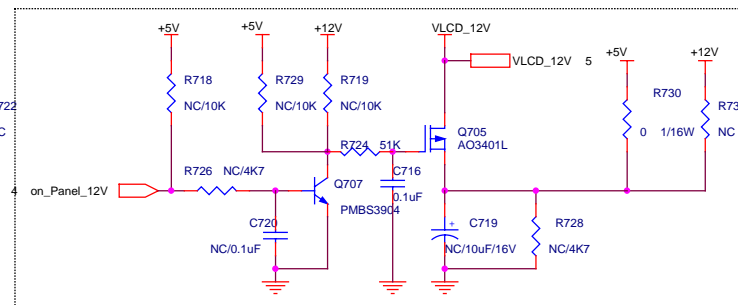
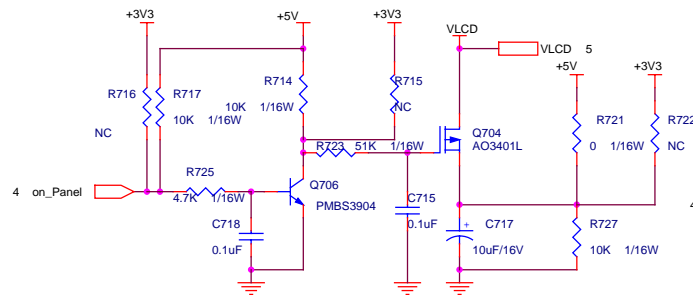
P.S: The 1N4148 Vf=0.7V~1V can't meet LDO spec. The BAT42, Vf is OK but the If=200mA(forward current) can not meet current spec.



TO-263

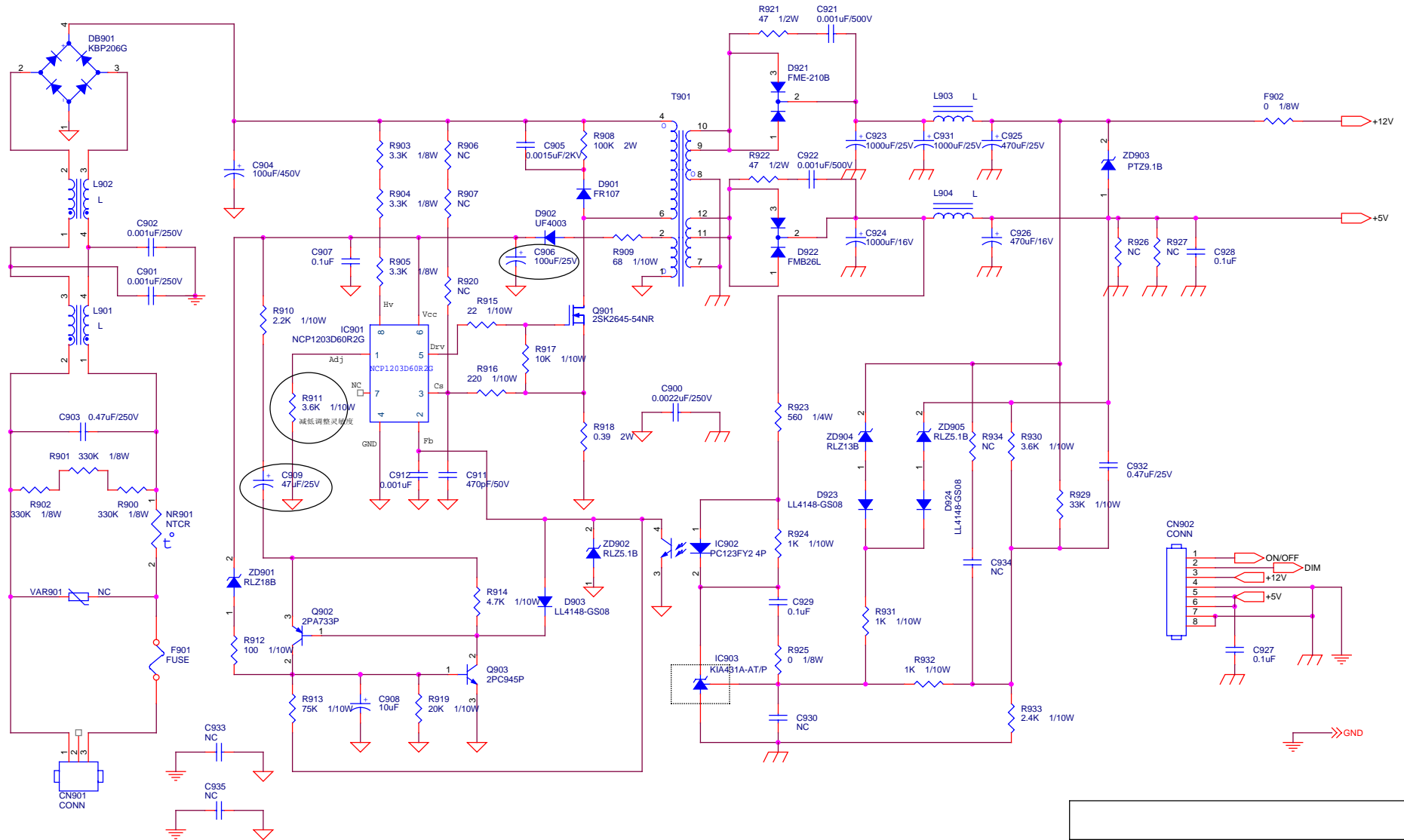
12/21 MODIFY

For RS2S and Panel VCC=12V

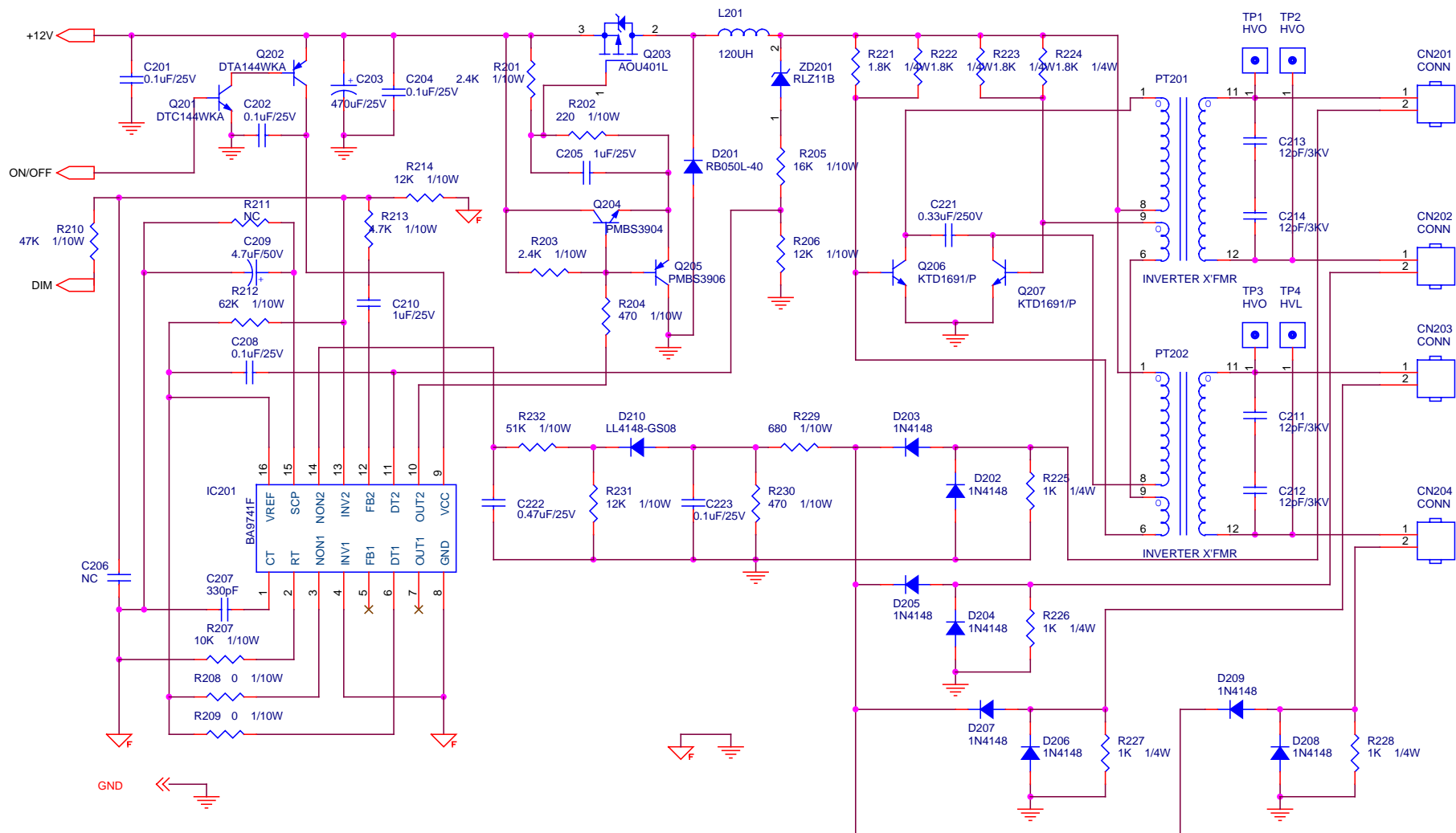


Title		
TSUM16AK		
Size	Document Number	Rev
B	POWER	A
Date:	Monday, May 09, 2005	Sheet 1 of 5


Power board (adapter + inverter)




Title			1. POWER OUTPUT 12V & 5 V		
Size	Document Number				Rev
B	PWPC1942AUA11P(715G1492-1)				A
Date:	Sunday, May 22, 2005	Sheet	1	of	2



Title		
2. FOR 19" 4 LAMPS INVERTER		
Size	Document Number	Rev
	PWPC1942AUA11P(715G1492-1)	A
Date:	Sunday, May 22, 2005	Sheet 2 of 2

 is power GND

 is signal GND